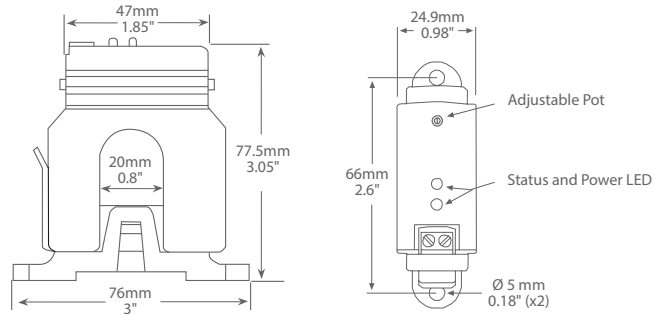


## PL-SC-610-200 – Split-Core Current Switch



### Product Description

The PL-SC-610-200 current switch monitors line current for electrical loads such as pumps, lighting, heaters or fans and closes the output contacts when the trip point is exceeded. The PL-SC-610-200 has a trip point that is adjustable between 2 to 200 Amps by rotating the adjustment pot. A LED illuminates when trip point setting is reached.

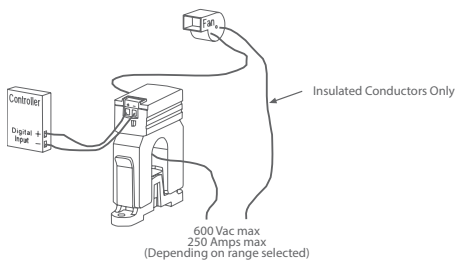
The sensor requires no external power as it is totally powered by induction from the AC line being monitored. The switch output is normally open and when the input current exceeds the trip setpoint the switch closes to provide an on/off digital signal to the controller.

The PL-SC610-200 is a split-core design, which can be opened to install on an existing wire thereby eliminating the need to disconnect.

### Typical Installation

The PL-SC-610-200 provides mounting tabs to secure the device inside a motor control panel using 2 screws.

The sensor has a 2 wire connection to the ProLon Building Automation System.



### Technical Specifications

<b>CURRENT SETPOINT</b>	Adjustable - 2 to 200 Amps
<b>MAXIMUM INPUT CURRENT</b>	200 Amps continuous
<b>SENSOR POWER</b>	Self-powered
<b>OUTPUT TYPE</b>	Solid-state mosfet
<b>OUTPUT SWITCH ACTION</b>	Normally open
<b>INDICATION</b>	Illuminated power and status LED
<b>OUTPUT SWITCH RATINGS</b>	30 Vac/dc, 500 mA maximum
<b>VON @ 24 VDC AT 500 mA</b>	<50 mV
<b>FREQUENCY</b>	50/60 Hz
<b>RESPONSE TIME</b>	200 mS typical
<b>INSULATION CLASS</b>	600 Vac, insulated conductors
<b>OPERATING TEMPERATURE</b>	5 to 122°F (-15 to 50°C)
<b>OPERATING HUMIDITY</b>	5 to 90 %RH non-condensing
<b>WIRING CONNECTIONS</b>	Screw terminal block (14 to 22 AWG)
<b>DIMENSIONS</b>	3" x 3.1" x 0.98" (76mm W x 79mm H x 24.9mm D)
<b>SENSOR APERTURE</b>	0.8" (20.3 mm)
<b>ENCLOSURE MATERIAL</b>	ABS/PC, UL94-V0
<b>AGENCY APPROVALS</b>	cULus listed
<b>COUNTRY OF ORIGIN</b>	Canada

