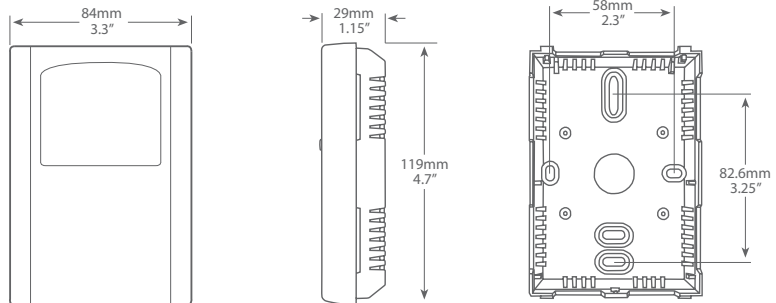


PL-RM-TRH/PL-RM-TRH-LCD – Room Humidity Transmitter and Temperature Sensor



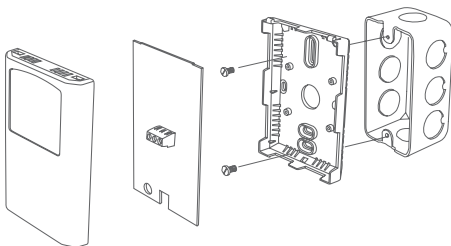
Product Description

The PL-RM-TRH features a temperature sensor and relative humidity transmitter for dual room temperature and humidity readings. The humidity transmitter uses a highly accurate and field-proven RH sensor in an attractive low profile enclosure to monitor room relative humidity levels. The RH output can be field selected as a linear 4-20 mA or 0-5 / 0-10 Vdc signal.

Typical Installation

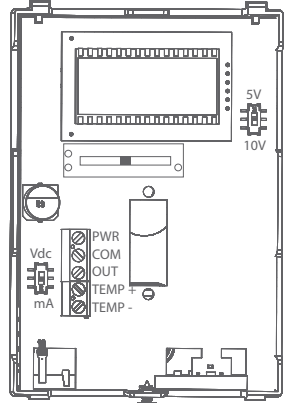
The PL-RM-TRH can be mounted directly to a single gang electrical box or directly to a wall. Multiple mounting holes are provided for connection to a variety of electrical boxes.

A terminal block connection is provided for connection to the ProLon Building Automation System.



Technical Specifications

SENSOR	Thermoset polymer based capacitive
ACCURACY	±5 %RH (5 to 95 %RH)
RANGE	0 to 100 %RH
RESOLUTION	0.01 %RH
HYSTERESIS	±0.8 %RH @ 25°C (77°F)
RESPONSE TIME	8 seconds typical
STABILITY	<0.25 %RH/year
POWER SUPPLY	24 Vac/dc ±10% typical, 28 Vac/dc maximum
CONSUMPTION	20 mA @ 24 Vdc
SIGNAL	4-20 mA / 0-5 or - 0-10 Vdc (field selectable)
OUTPUT DRIVE @ 24 VDC	Current: 550 Ω maximum Voltage: 10,000 Ω minimum
OPERATING CONDITIONS	32 to 122°F (0 to 50°C)
LCD DISPLAY	Size: 1.4" x 0.6" (35mm W x 15mm H), 2 line x 8 character, alpha-numeric Digit Height: 2-line x 8 character
ORDERING	No LCD: PL-RM-TRH LCD: PL-RM-TRH-LCD
ENCLOSURE	White ABS, UL94-v0, IP30 (NEMA 1) 3.3" x 4.7" x 1.15" (84mm W x 119mm H x 29mm D)
WIRING CONNECTIONS	Screw terminal block (14 to 22 AWG)
TEMPERATURE SENSOR	10,000 Ω Type 3, NTC Thermistor, ±0.2°C
COUNTRY OF ORIGIN	Canada

Wiring Information	Terminal	Function
	PWR	+ 24 Vdc/ac Input
	COM	COMMON
	OUT	Analog Output
	TEMP+	Temperature Sensor
	TEMP-	Temperature Sensor

