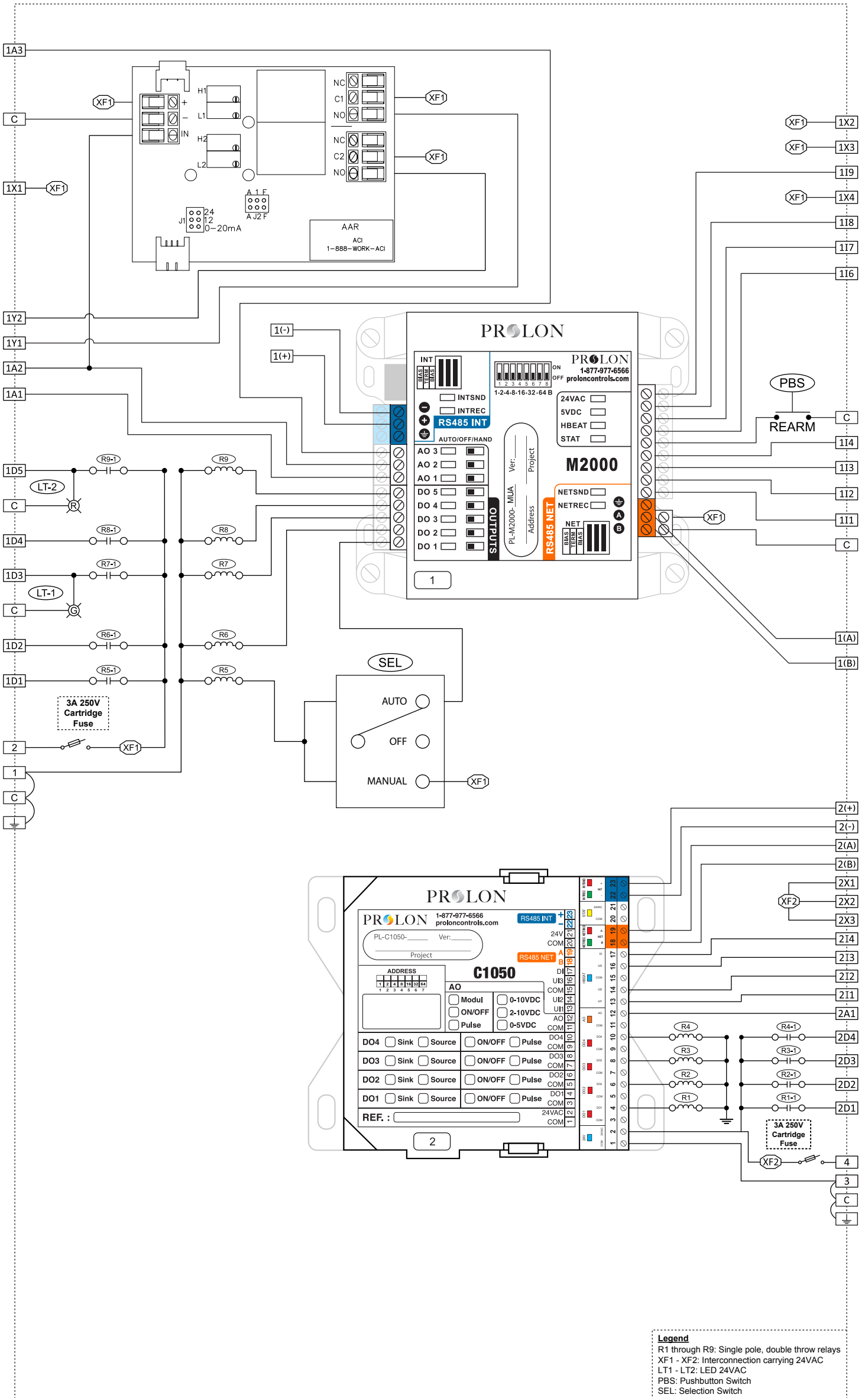


PL-PN2-4X-7L

Internal Electrical Wiring Diagram

VERSION 1







Legend
 R1 through R9: Single pole, double throw relays
 XF1 - XF2: Interconnection carrying 24VAC
 LT1 - LT2: LED 24VAC
 PBS: Pushbutton Switch
 SEL: Selection Switch

Field Wiring Details

ALL TERMINALS: Use Copper Conductors Only, 105°C/220°F, Maximum Torque Conductor Mounting: 0.5Nm

| Terminal | Function | Ratings |
|---|---|-----------------|
|  | GROUND | N/A |
| 1 | Supply Input Common | N/A |
| 2 | Supply Input 24VAC (XF1) | 24VAC, 3A, 60Hz |
| 1D1 |  - Occupancy Output | 24VAC, 300mA |
| 1D2 |  - Outside Air Damper Output | 24VAC, 300mA |
| 1D3 |  - Fan Output | 24VAC, 300mA |
| 1D4 |  - Preheat Permission Output | 24VAC, 300mA |
| 1D5 |  - Alarm Output | 24VAC, 300mA |
| 1A1 | Modulating Heat Output | 0-10VDC, 40mA |
| 1A2 | Cooling Output / AN | 0-10VDC, 40mA |
| 1Y1 | Cooling Output / Stage 1 | 24VAC, 300mA |
| 1Y2 | Cooling Output / Stage 2 | 24VAC, 300mA |
| 1X1 | 24VAC Supply (XF1) | 24VAC, 8.5VA |
| 1A3 | VFD Output | 0-10VDC, 40mA |
| 1X2 | VFD Supply (XF1) | 24VAC, 5VA |
| 1X3 | Static Pressure Sensor Supply (XF1) | 24VAC, 0.03A |
| 1I9 | CO2 / Building Pressure | 0-5VDC, 20mA |
| 1X4 | CO2 Sensor Supply (XF1) | 24VAC, 6.7VA |
| 1I8 | Zone Temperature | N/A |
| 1I7 | Outside Temperature | N/A |
| 1I6 | Supply Temperature | N/A |
| 1I4 | Dry Contact for: Proof of Fan | N/A |
| 1I3 | Dry Contact for: Outside Air Damper | N/A |
| 1I2 | Dry Contact for: Exhaust 2 / Manual Override | N/A |
| 1I1 | Dry Contact for: Exhaust 1 | N/A |
| 1(+) | M2000 RS485 INT A (+) | N/A |
| 1(-) | M2000 RS485 INT B (-) | N/A |
| 1(A) | M2000 RS485 NET A (+) | N/A |
| 1(B) | M2000 RS485 NET B (-) | N/A |

| Terminal | Function | Ratings |
|----------|--|-----------------|
| 3 | Power Supply Input Common | N/A |
| 4 | Supply Input 24VAC (XF2) | 24VAC, 3A, 60Hz |
| 2D1 |  - Digital Output 1 | 24VAC, 300mA |
| 2D2 |  - Digital Output 2 | 24VAC, 300mA |
| 2D3 |  - Digital Output 3 | 24VAC, 300mA |
| 2D4 |  - Digital Output 4 | 24VAC, 300mA |
| 2A1 | Analog Output 1 | 0-10VDC, 40mA |
| 2I1 | Universal Input 1 | N/A |
| 2I2 | Universal Input 2 | N/A |
| 2I3 | Universal Input 3 | N/A |
| 2I4 | Digital Input (Dry Contact) | N/A |
| 2X3 | Power Supply 24VAC | 24VAC, 60Hz |
| 2X2 | Power Supply 24VAC | 24VAC, 60Hz |
| 2X1 | Power Supply 24VAC | 24VAC, 60Hz |
| 2 (+) | C1050 RS485 INT A (+) | N/A |
| 2 (-) | C1050 RS485 INT B (-) | N/A |
| 2 (A) | C1050 RS485 NET A (+) | N/A |
| 2 (B) | C1050 RS485 NET B (-) | N/A |
| C | COMMON | N/A |