

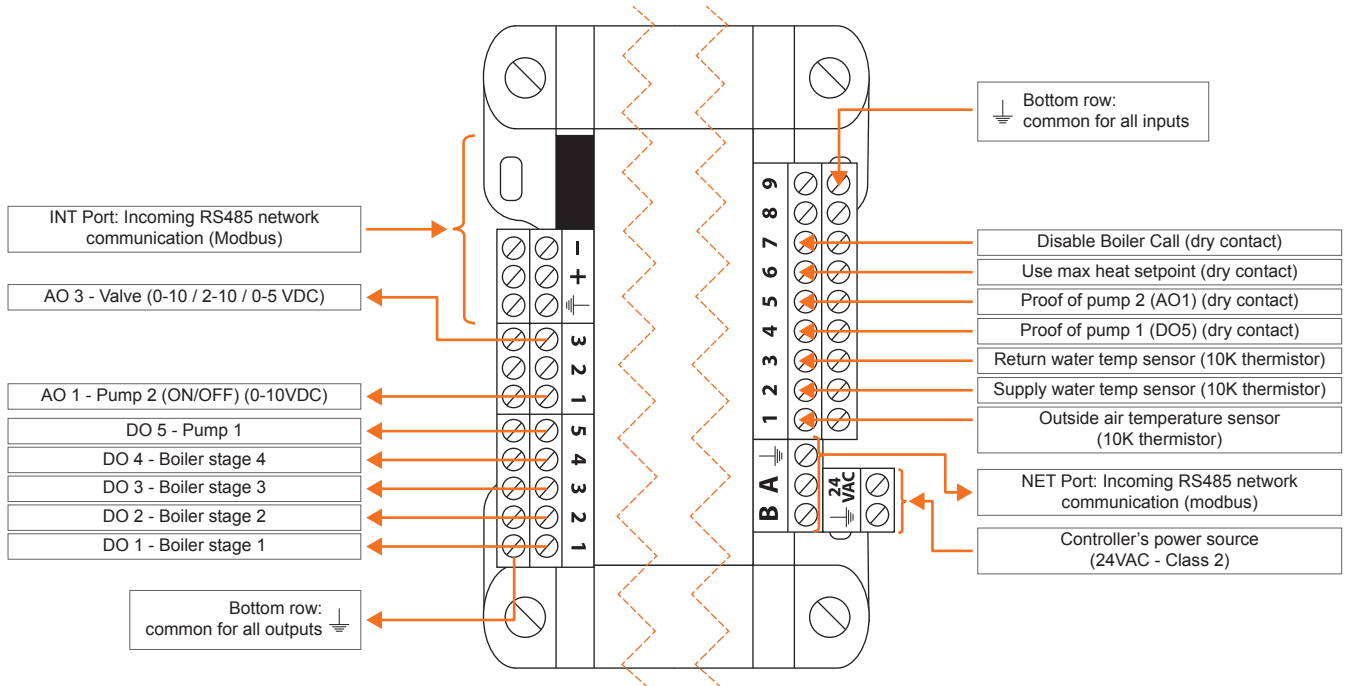
Table of Contents

Staged Boiler Controller (PL-M2000-BLR)	4
Modulating Boiler Controller (PL-M2000-BLR)	6
Chiller Controller (PL-M2000-CHL)	8
FlexIO Controller (PL-M2000-FLX)	10
Heatpump Controller (PL-M2000-HP & PL-M2000-HPS)	12
Hydronic Controller (PL-M2000-HYD)	14
Make Up Air Controller (PL-M2000-MUA)	16
Rooftop Controller (PL-M2000-RTU & PL-M2000-RTUS)	18
Compliance.....	20
Technical Specifications	20

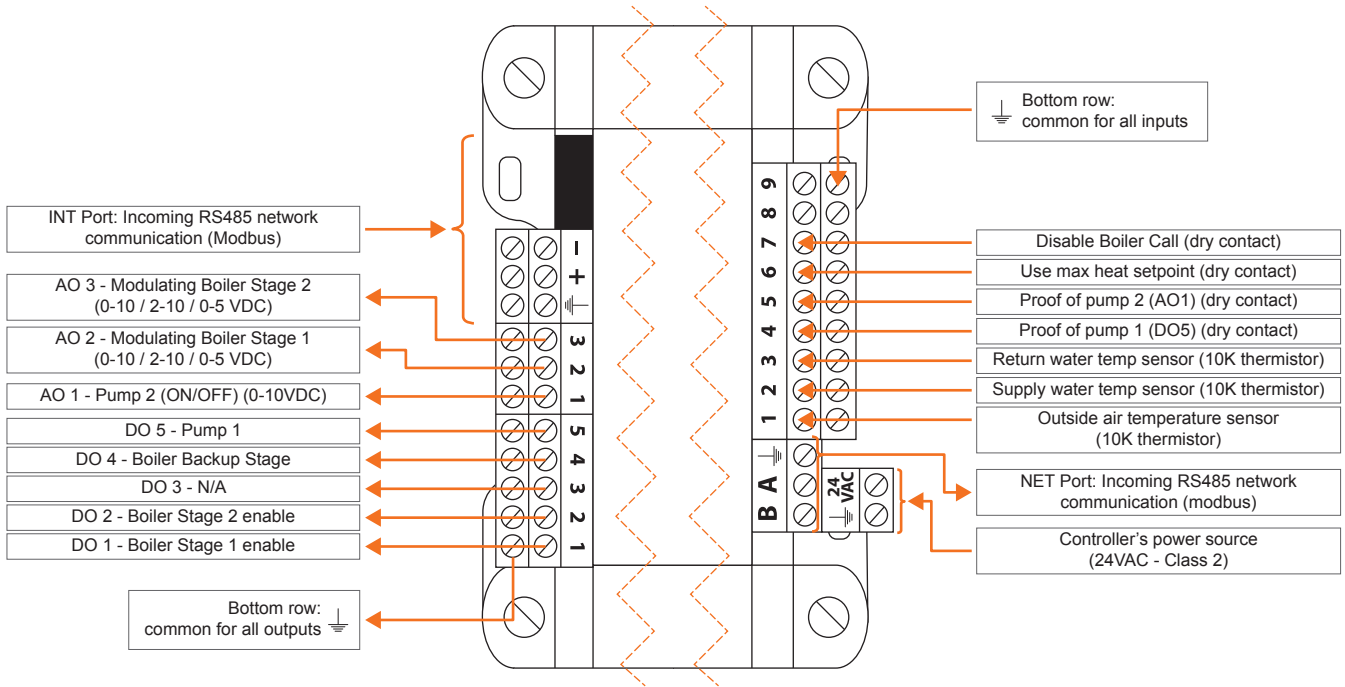
© Copyright 2020 Proton. All rights reserved.

No part of this document may be photocopied or reproduced by any means, or translated to another language without prior written consent of Proton. All specifications are nominal and may change as design improvements are introduced. Proton shall not be liable for damages resulting from misapplication or misuse of its products. All trademarks are the property of their respective owners.

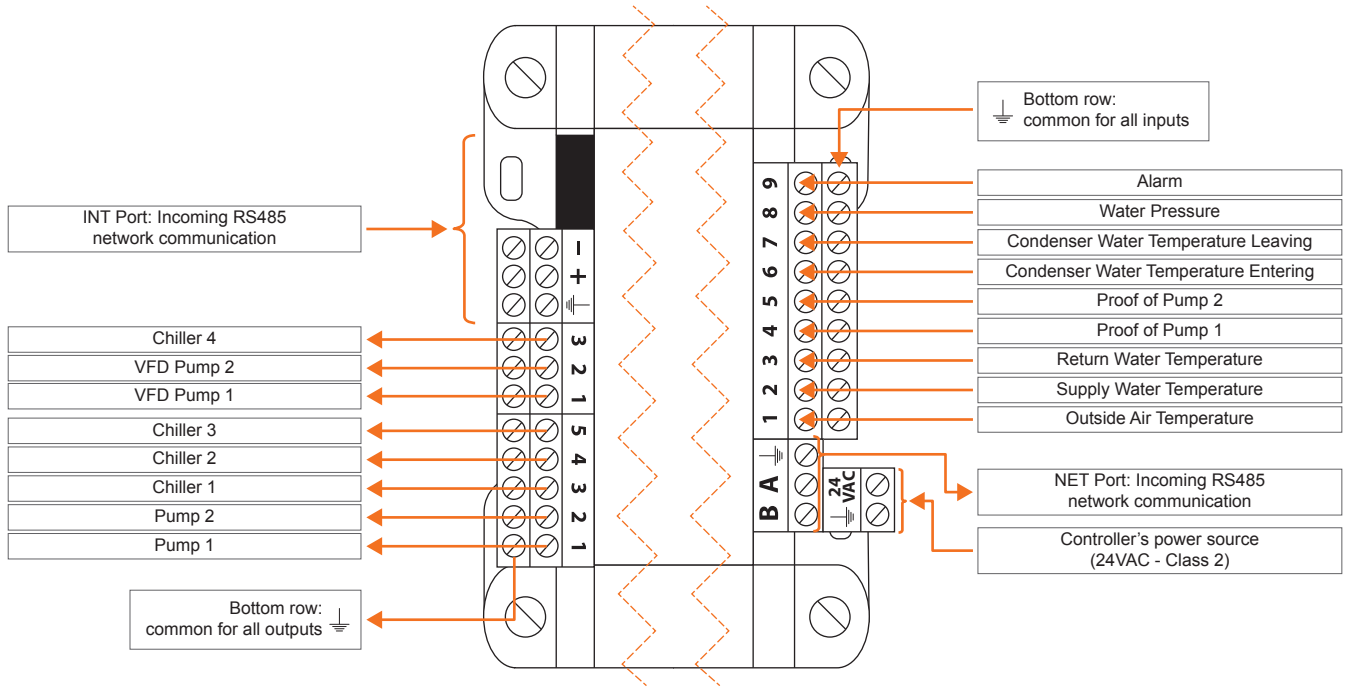
Staged Boiler Controller (PL-M2000-BLR)



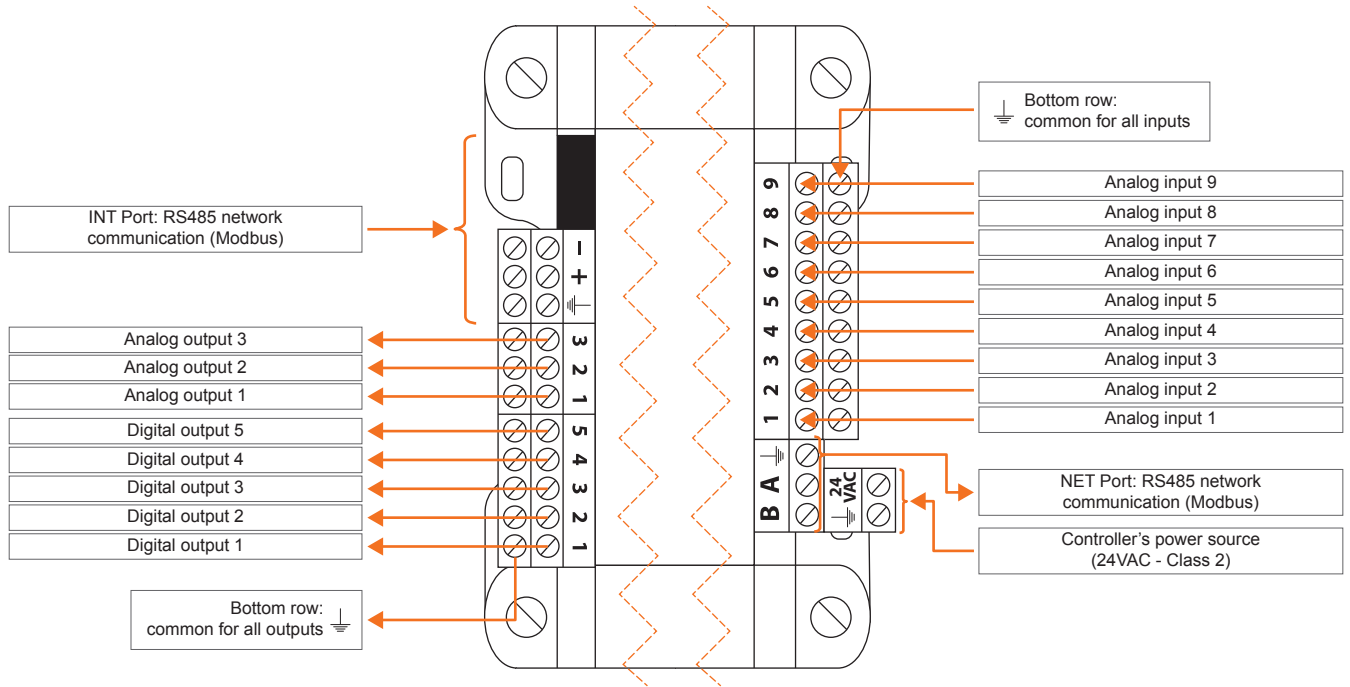
Modulating Boiler Controller (PL-M2000-BLR)



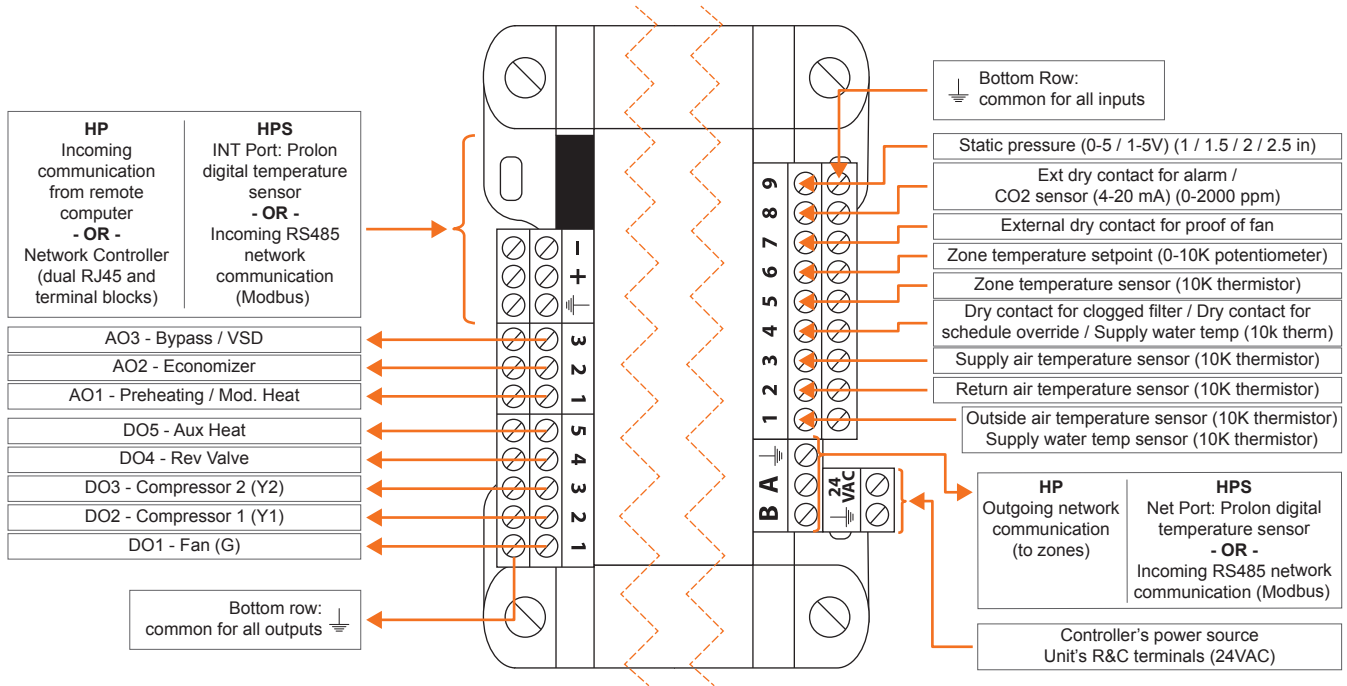
Chiller Controller (PL-M2000-CHL)



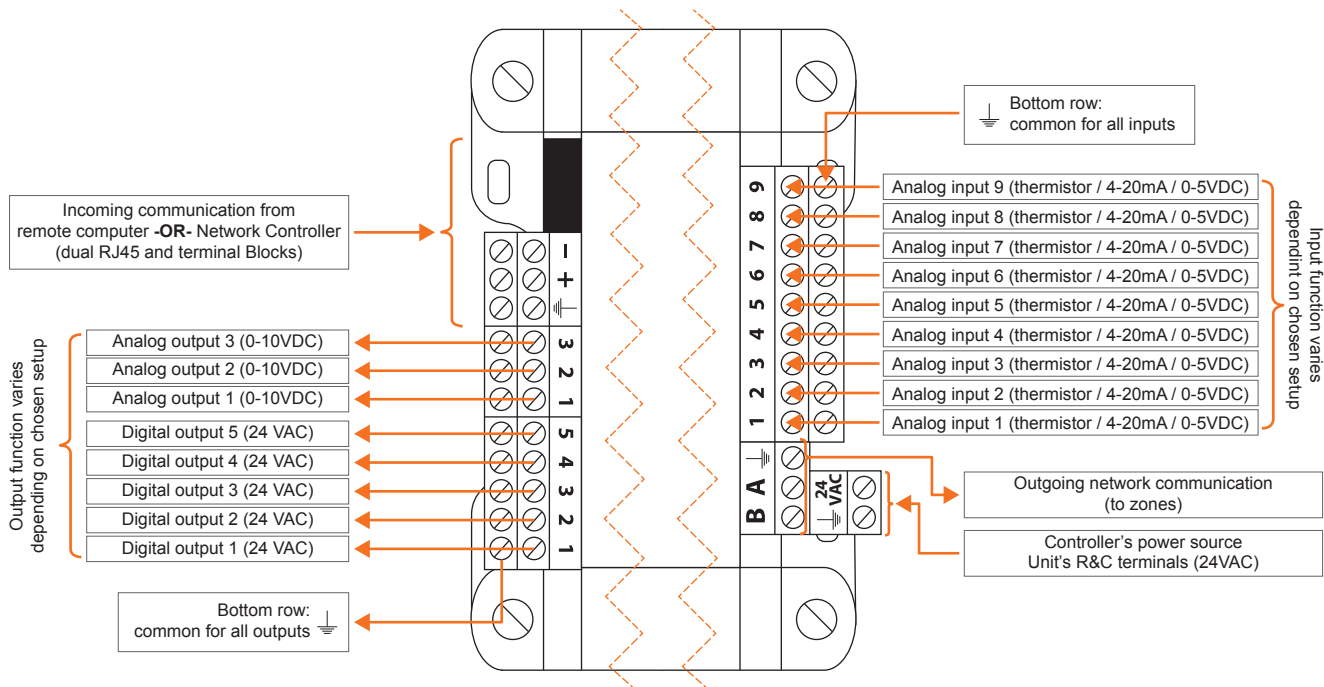
FlexIO Controller (PL-M2000-FLX)



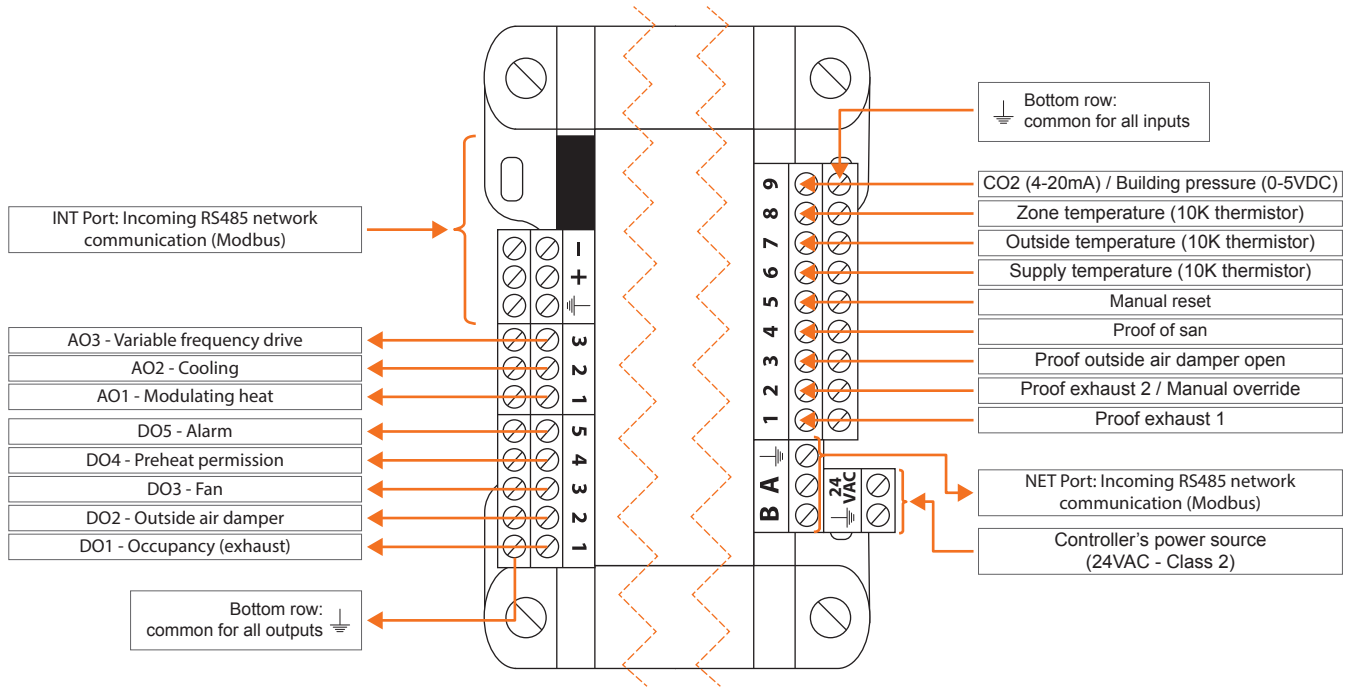
Heatpump Controller (PL-M2000-HP & PL-M2000-HPS)



Hydronic Controller (PL-M2000-HYD)



Make Up Air Controller (PL-M2000-MUA)



Rooftop Controller (PL-M2000-RTU & PL-M2000-RTUS)

