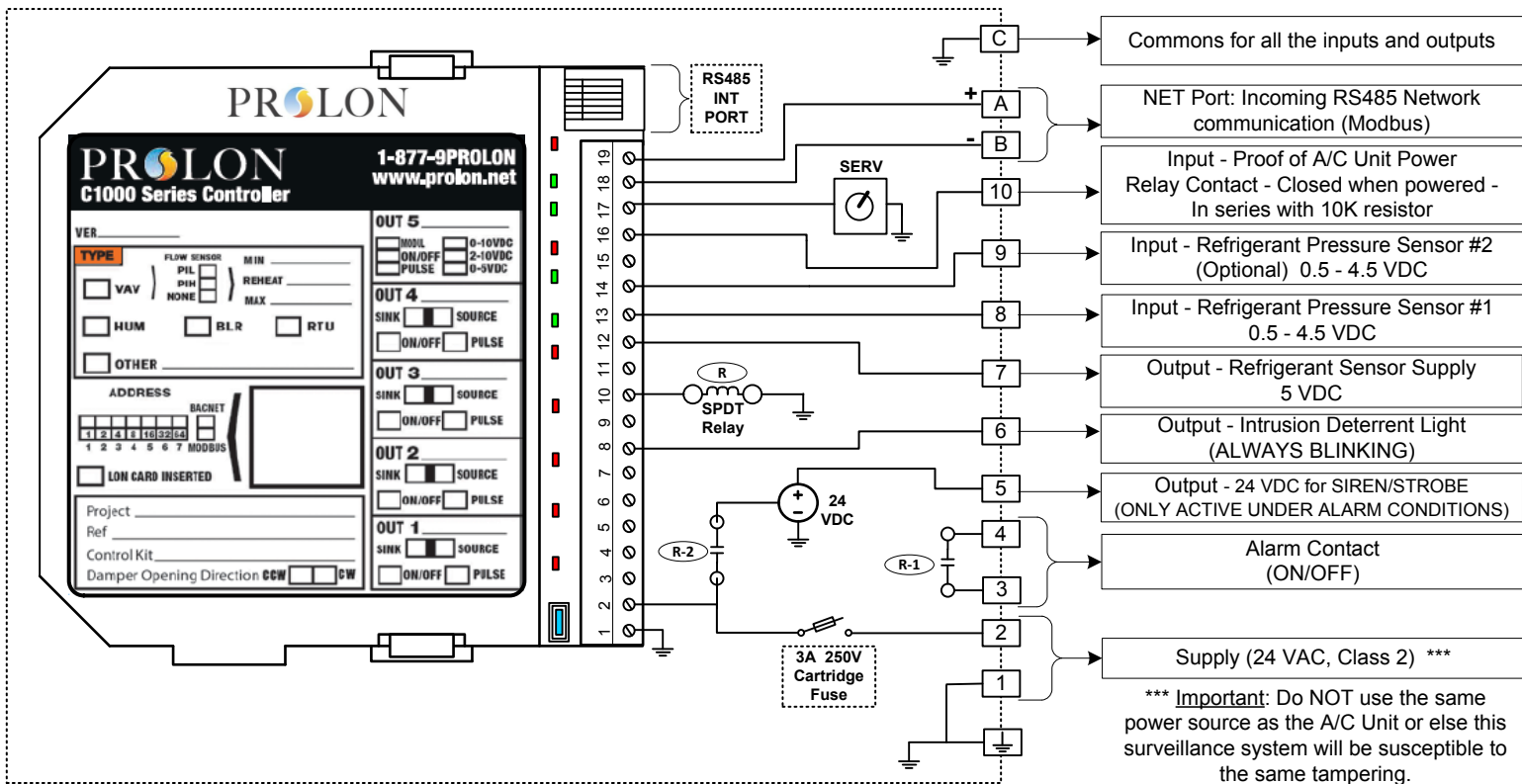


PL-ACCPT

Internal Electrical Wiring Diagram



Field Wiring Details

Terminal	Function	Ratings	Wiring Details
	GROUND	N/A	Use Copper Conductors Only, 60°C/140°F, Maximum Torque Conductor Mounting: 0.5 Nm)
1	Power Supply Input Common	N/A	Use Copper Conductors Only, 60°C/140°F, Maximum Torque Conductor Mounting: 0.5 Nm)
2	Power Supply Input 24VAC	24 VAC, 3A, 60 Hz, Class 2	Use Copper Conductors Only, 60°C/140°F, Maximum Torque Conductor Mounting: 0.5 Nm)
3	Alarm Dry Contact (-)	Contact Rating: 10A	Use Copper Conductors Only, 60°C/140°F, Maximum Torque Conductor Mounting: 0.5 Nm)
4	Alarm Dry Contact (+)	Contact Rating: 10A	Use Copper Conductors Only, 60°C/140°F, Maximum Torque Conductor Mounting: 0.5 Nm)
5	Siren/Strobe Alarm Voltage	24 VDC, 1.5A max	Use Copper Conductors Only, 60°C/140°F, Maximum Torque Conductor Mounting: 0.5 Nm)
6	Intrusion Deterrent Light Supply	24 VAC, 300mA Max	Use Copper Conductors Only, 60°C/140°F, Maximum Torque Conductor Mounting: 0.5 Nm)
7	Refrigerant Sensor Supply Voltage	5 VDC, 40mA Max	Use Copper Conductors Only, 60°C/140°F, Maximum Torque Conductor Mounting: 0.5 Nm)
8	Refrigerant Pressure Sensor #1	0.5 - 4.5 VDC, 40mA Max	Use Copper Conductors Only, 60°C/140°F, Maximum Torque Conductor Mounting: 0.5 Nm)
9	Refrigerant Pressure Sensor #2	0.5 - 4.5 VDC, 40mA Max	Use Copper Conductors Only, 60°C/140°F, Maximum Torque Conductor Mounting: 0.5 Nm)
10	Input for Proof of A/C Voltage (Relay contact - closed when powered - in series with 10K resistor)	N/A	Use Copper Conductors Only, 60°C/140°F, Maximum Torque Conductor Mounting: 0.5 Nm)
A	RS485 NET A (+)	N/A	Use Copper Conductors Only, 60°C/140°F, Maximum Torque Conductor Mounting: 0.5 Nm)
B	RS485 NET B (-)	N/A	Use Copper Conductors Only, 60°C/140°F, Maximum Torque Conductor Mounting: 0.5 Nm)
C	COMMON	N/A	Use Copper Conductors Only, 60°C/140°F, Maximum Torque Conductor Mounting: 0.5 Nm)