

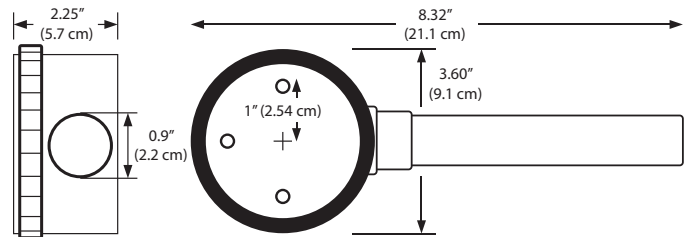


Datasheet

Temperature Sensors (PL-OAS / PL-DS / PL-CODS)

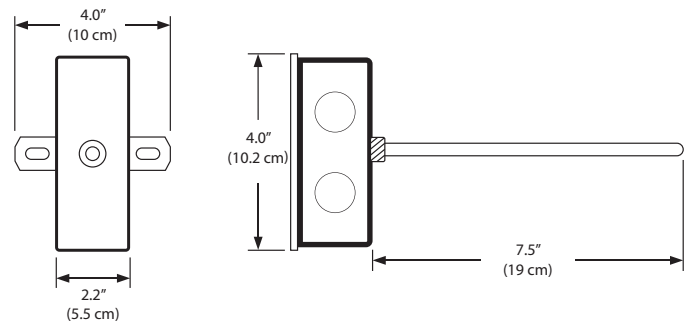
PL-OAS

The PL-OAS outdoor air sensor is made with a weather-tight, engineered plastic enclosure designed to withstand demanding weather conditions. The ingenious design behind this enclosure gives optimal sensor protection against rain, sleet, snow and direct sunlight. Two mounting flanges allow quick and easy installation while access to the wiring compartment is facilitated by a screw-on watertight cover. A "seal-tight" electrical connector is included for out-of-box wiring situations. The PL-OAS outdoor sensor is rugged and easy to install.



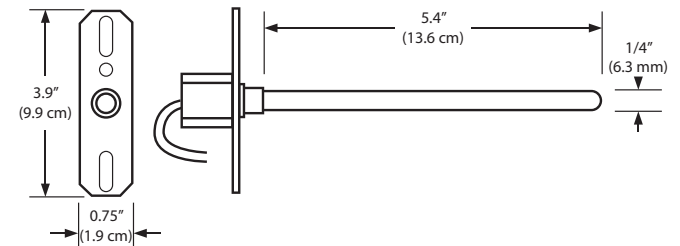
PL-DS

The PL-DS duct sensor is made with a sturdy 304 stainless steel insertion tube and a standard 2"x4" electrical junction box with cover and duct mounting flanges. These flanges allow the use of all types of self-tapping mounting screws. A foam insulation pad entirely covers the underside of the junction box to prevent air leaks. The PL-DS duct sensor is robust yet easy and simple to install.



PL-CODS

The PL-CODS duct changeover sensor is designed for direct terminal unit installation. It is made out of a sturdy 304 stainless steel insertion tube and a duct mounting flange. This flange allows the use of any type of self-tapping mounting screws. The PL-CODS sensor is robust yet easy and simple to install.



Notes for all Sensors

NTC thermistor type III • 10 000 ohms @ 77°F (25°C) • +/- 0.36°F (0.2°C) Interchangeability • 3.0 mW/°C Heat dissipation constant