



Datasheet

Triac Relay (PL-TCC151 / 251)

Description

ProLon electronic relay controls are recommended for use with proportional temperature controllers and other applications where long life solid state reliability is required. The electronic relay control is suitable for all processes, with either long or short time constants. Consequently, the shorter the cycle time, the better your control is.

Features

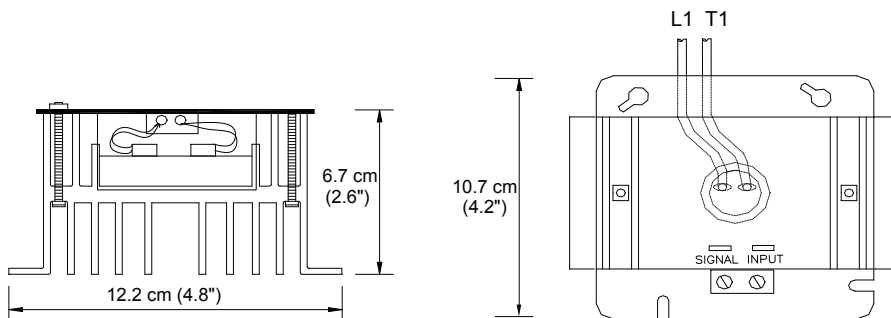
- Mounted on an aluminum heat sink
- Electronic components are protected in a thermal epoxy

Technical Specifications

- Input signal : 3 to 32 VDC, 24 VAC
- Output wires : AWG 12/65 SBC, 12" length (black), L1, T1
- Frequency : 60 Hz
- Output : 48 to 347 VAC (1 phase):

Part Number	Max Current
PL-TCC151	15 A
PL-TCC251	25 A

Size Chart



Phone 450-973-5100 | Toll Free 1-877-977-6566