



## Datasheet

# Terminal Box (PL-AV)

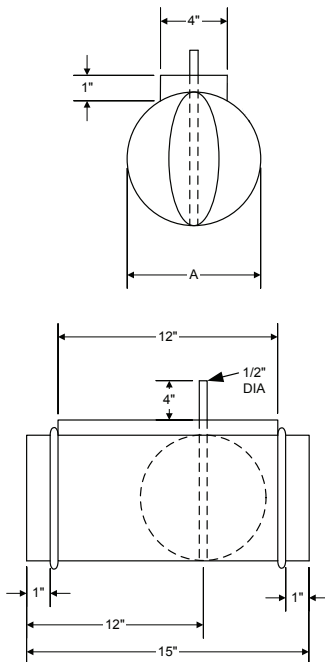
## Description

The PL-AV series boxes are round terminal boxes designed for variable air volume zoning applications (with or without flow sensor). Also available with the PL-FSD. Please refer to the PL-FSD Datasheet.

## Characteristics

- Galvanized steel housing, satin finish, 0.8mm (22 gauge)
- Single blade, dual density control damper with Polyolefin insulation seal
- 12.5 mm (1/2") shaft compatible with most actuators

## Size Chart



## Technical Specifications

Model	Air flow CFM (l/s)	Velocity FPM (m/s)	A Inlet diameter	Weight LBS (kg)
<b>PL-AV04</b>	100 (45)	1150 (5.84)	4" (100mm)	4 (1.81)
<b>PL-AV05</b>	130 (60)	953 (4.84)	5" (127mm)	5 (2.27)
<b>PL-AV06</b>	200 (95)	1019 (5.18)	6" (152mm)	7 (3.18)
<b>PL-AV07</b>	275 (130)	1029 (5.23)	7" (178mm)	7 (3.18)
<b>PL-AV08</b>	350 (165)	1003 (5.10)	8" (203mm)	8 (3.63)
<b>PL-AV09</b>	450 (210)	1019 (5.18)	9" (229mm)	9 (4.08)
<b>PL-AV10</b>	550 (260)	1008 (5.12)	10" (254mm)	9 (4.08)
<b>PL-AV12</b>	800 (375)	1019 (5.18)	12" (305mm)	11 (4.99)
<b>PL-AV14</b>	1100 (520)	1029 (5.23)	14" (356mm)	13 (5.90)
<b>PL-AV16</b>	1400 (660)	1003 (5.10)	16" (406mm)	15 (6.80)