



Datasheet

Terminal Box (PL-AV)

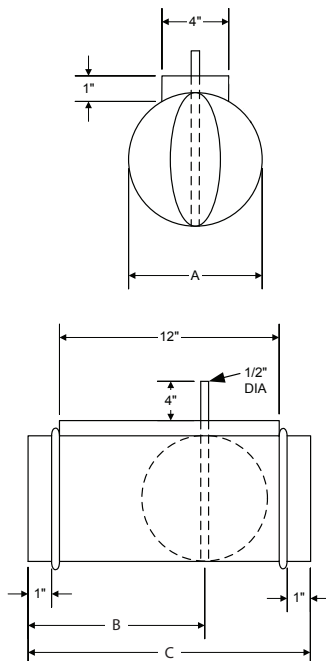
Description

The PL-AV series boxes are round terminal boxes designed for variable air volume zoning applications (with or without flow sensor). Also available with the PL-FSD. Please refer to the PL-FSD Datasheet.

Characteristics

- Galvanized steel housing, satin finish, 0.8mm (22 gauge)
- Single blade, dual density control damper with Polyolefin insulation seal
- 12.5 mm (1/2") shaft compatible with most actuators

Size Chart



Technical Specifications

Model	Air flow CFM (l/s)	Velocity FPM (m/s)	A	B	C	Weight LBS (kg)
PL-AV04	100 (45)	1146 (5.82)	4" (100mm)	12" (305)	15" (381)	4 (1.81)
PL-AV05	130 (60)	953 (4.84)	5" (125mm)	12" (305)	15" (381)	5 (2.27)
PL-AV06	200 (95)	1019 (5.18)	6" (150mm)	12" (305)	15" (381)	7 (3.18)
PL-AV07	275 (130)	1029 (5.23)	7" (175mm)	12" (305)	15" (381)	7 (3.18)
PL-AV08	350 (165)	1003 (5.09)	8" (200mm)	12" (305)	15" (381)	8 (3.63)
PL-AV09	450 (210)	1019 (5.18)	9" (225mm)	12" (305)	15" (381)	9 (4.08)
PL-AV10	550 (260)	1008 (5.12)	10" (254mm)	12" (305)	15" (381)	9 (4.08)
PL-AV12	800 (375)	1019 (5.18)	12" (305mm)	12" (305)	15" (381)	11 (4.99)
PL-AV14	1100 (520)	1193 (6.06)	14" (355mm)	12" (305)	15" (381)	13 (5.90)
PL-AV16	1400 (660)	1003 (5.09)	16" (406mm)	12" (305)	15" (381)	15 (6.80)
PL-AV18	2500 (1179)	1415 (7.19)	18" (457mm)	16" (406)	20" (508)	N/A
PL-AV20	3100 (1463)	1421 (7.22)	20" (508mm)	16" (406)	20" (508)	N/A
PL-AV22	3700 (1746)	1402 (7.12)	22" (559mm)	16" (406)	20" (508)	N/A
PL-AV24	4400 (2076)	1401 (7.12)	24" (610mm)	16" (406)	20" (508)	N/A
PL-AV26	5000 (2359)	1356 (6.89)	26" (660mm)	19" (483)	24" (610)	N/A
PL-AV28	6000 (2831)	1403 (7.13)	28" (711mm)	19" (483)	24" (610)	N/A
PL-AV30	7000 (3303)	1426 (7.25)	30" (762mm)	19" (483)	24" (610)	N/A